

**EMCO**®  
WHEATON RETAIL

**A1005-505**  
Replacement Stainless  
Steel Spill Containment

**Never Break  
Concrete**

***Repair your Spill Containment  
With Stainless Steel***



***Patent Pending***

# A1005-505 Replacement Stainless Steel Spill Containment

- Containment vessel completely isolates old manhole
- Lid seals inside stainless steel vessel

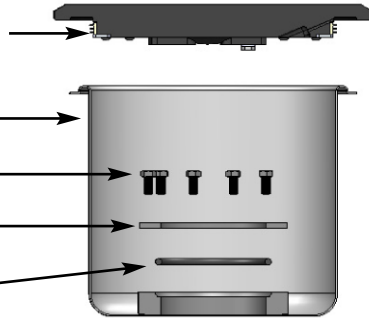
Cast Iron Cover  
With Triple Wiper Seal

Stainless Steel  
Containment Vessel

Stainless Steel Bolts

2 Piece Stainless  
Steel Flange

O-ring Seal



## OPW 2100C Series

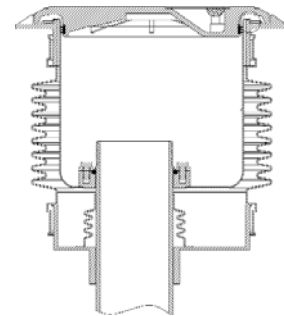
A1005-505C	Stainless Steel Single Wall
A1005-505DP	Drain Plug Kit
A1005-505DPE	Drain Plug Kit w/ Epoxy
A1005-505CL	Replacement Lid
568961	Lid Seal



## OPW 2105 Series

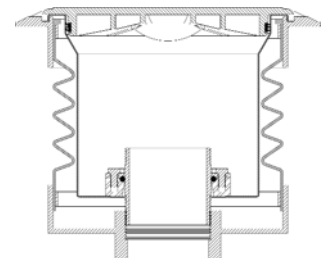
*This is the same as the 2100C, but with a 1" offset riser opening*

A1005-505C5	Stainless Steel Single Wall
A1005-505CL	Replacement Lid
568961	Lid Seal



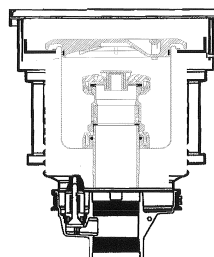
## OPW 4000 Series

A1005-505C4	Stainless Steel Single Wall
A1005-505CL4	Replacement Lid
568961	Lid Seal



## OPW 101BG Series

A1005-505CBG	Stainless Steel Single Wall
A1005-505DP	Drain Plug Kit
A1005-505CBGL	Replacement Lid
568961	Lid Seal



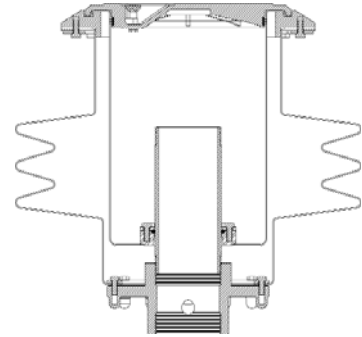
## **EBW 705 Series**

A1005-505CE	Stainless Steel Single Wall
A1005-505DPEB	Drain Plug Kit
A1005-505CEL	Replacement Lid
568961	Lid Seal



## **EBW 715 Series**

A1005-505CE15	Stainless Steel Single Wall
A1005-505DPEB	Drain Plug Kit
A1005-505CEL	Replacement Lid
568961	Lid Seal



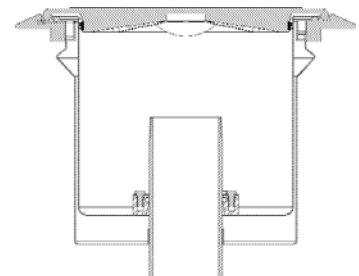
## **Universal 69RT/71CD Series**

A1005-505CU	Stainless Steel Single Wall
A1005-505DPU	Drain Plug Kit
A1005-505CUL	Replacement Lid
568961	Lid Seal



## **Pomeco 111 Series**

A1005-505CP	Stainless Steel Single Wall
A1005-505CPL	Replacement Lid
570012	Lid Seal

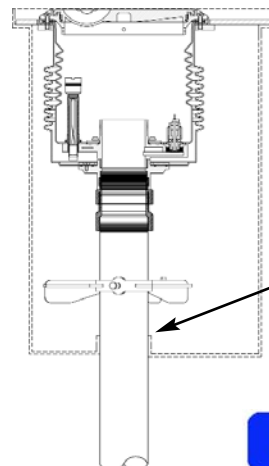


## **OPW 500 & 700 Series**

*(4 bolt lid) (8 bolt lid)*

*The A1004-316R series double wall spill containment install 16" off center. Both primary and secondary units are made of polyethylene.*

A1004-316RH5	OPW 500 Series, Drain
A1004-317RH5	OPW 500 Series, No Drain
A1004-316RH7	OPW 700 Series, Drain
A1004-317RH7	OPW 700 Series, No Drain
A1004-316LID	Replacement Lid
570012	Lid Seal



*Eliminates need for existing rubber boot*

# A1005-505 Accessories

## Installation and Tools

- A0081-003 Nipple Extractor Tool
- A0333-002 Hand Pump
- A7901-004S 4"x4" pipe nipple
- A7901-005S 4"x5" pipe nipple
- A7901-006S 4"x6" pipe nipple
- A7901-007S 4"x7" pipe nipple
- A7901-008S 4"x8" pipe nipple
- A7901-009S 4"x9" pipe nipple
- A7901-010S 4"x10" pipe nipple
- A7901-011S 4"x11" pipe nipple
- A7901-012S 4"x12" pipe nipple
- Z0839-001 Sealant



## Testing Equipment

- A1004-210TEST Test Unit
- 494833 Test Cover (all units except A1005-505CP)
- 494854 Test Cover A1005-505CP



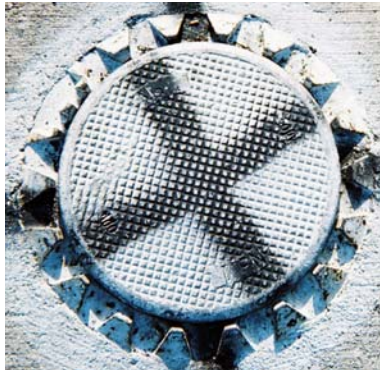
### Approvals:

Florida DEP EQ-753  
North Carolina DENR

## Reference Guide



**OPW 2100C; OPW 2105**  
Rim 16", Lid 13.75"



**OPW 4000**  
Rim 16.375", Lid 13.125"



**EBW 705**  
Rim 17.25", Lid 14"



**Universal 69RT/71CD**  
Rim 15", Lid 12.75"



**Pomeco**  
Rim 21", Lid 17.25"