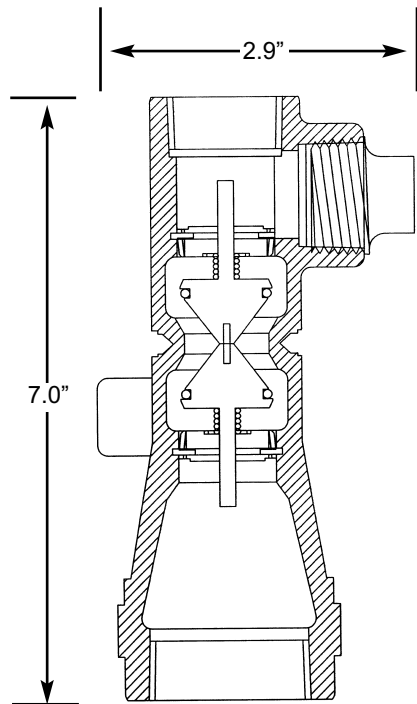


# A0063

## Vapor Shear Valve

*Approved for use with all  
CARB Certified Phase II  
Vapor Recovery Systems,  
Pre-EVR and EVR*



Installation Hardware  
Included

**Guide Specification:** A0063-024 Vapor Shear Valve installs on vapor recovery lines under the dispenser to eliminate the escape of vapors in the event of a collision to the dispenser. 1.5" female NPT connection to underground piping; 1" female NPT connection to dispenser piping. Double poppet.

**Materials**

Body: Cast Iron  
Spring: Stainless Steel  
Seal: Viton<sup>®</sup>

Viton<sup>®</sup> is a registered trademark of DuPont Dow Elastomers.

**Emco Wheaton Retail Corporation**

2300 Industrial Park Drive • Wilson, North Carolina 27893  
252-243-0150 • 252-243-4603 (fax) • [www.emcoretail.com](http://www.emcoretail.com)