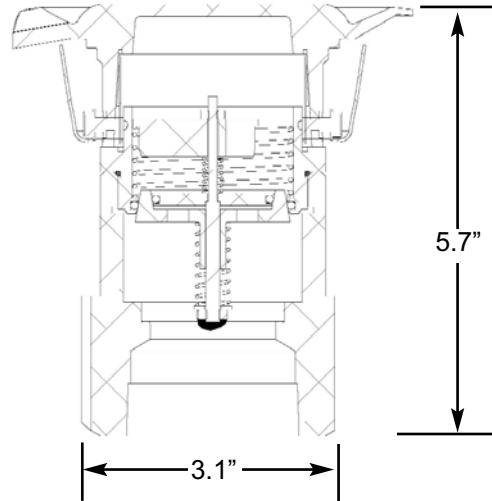


Meets New EPA 40 CFR Part 63



A0084 Pressure/Vacuum Vent Valve - used to prevent gasoline vapor from harming the air quality. Typically installs on the top of the vent pipes from the underground or aboveground fuel storage tanks. The vent valve is equipped with a wire mesh screen designed to protect the storage tank vents against intrusion and blockage from rain water and debris. A normally closed poppet within the valve opens to allow the tank to vent (see chart below). Complies with EPA standard: leak rate shall not exceed 0.17 cubic foot per hour at a pressure of 2.0 inches of water and 0.63 cubic foot per hour at a vacuum of 4 inches of water.

Model No.	Inlet	Pressure Setting	Vacuum Setting
A0084-038	2" Thread-on	2.5"-6.0" WC	6.0"-10.0" WC
A0084-103	2" Slip-on	2.5"-6.0" WC	6.0"-10.0" WC
A0084-338	3" Thread-on	2.5"-6.0" WC	6.0"-10.0" WC

Vent Adapters - use with A0084 2" vents to connect to 3" riser pipes.

A0085-302	3" Thread-on
A0085-302S	3" Slip-on



Material:

- Body: Anodized Aluminum
- Seals: Fluorosilicone
- Screen: .010 dia. Mesh Stainless Steel Wire Screen
- Threads: 2 inch NPT

Emco Wheaton Retail Corporation

2300 Industrial Park Drive • Wilson, North Carolina 27893
252-243-0150 • 252-243-4603 (fax) • www.emcoretail.com