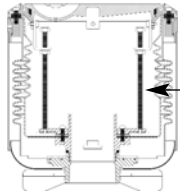


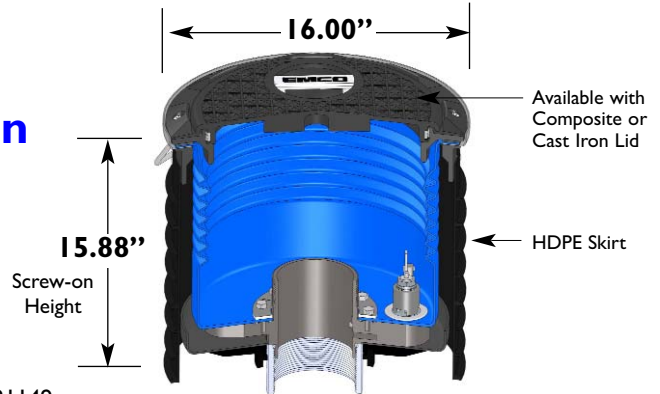
Single Wall Poly (HDPE)



Adjustment screws allow change in elevation $\pm 1 \frac{1}{2}$ " (5 gallon models)



5 Gallon Thread-On



■ ULC Listed MH21149
Florida DEP #EQ-524

Replaces all A1004-210 variants
Installs on 16" centers

Never Break Concrete - Easily repair or replace primary unit from grade without breaking concrete

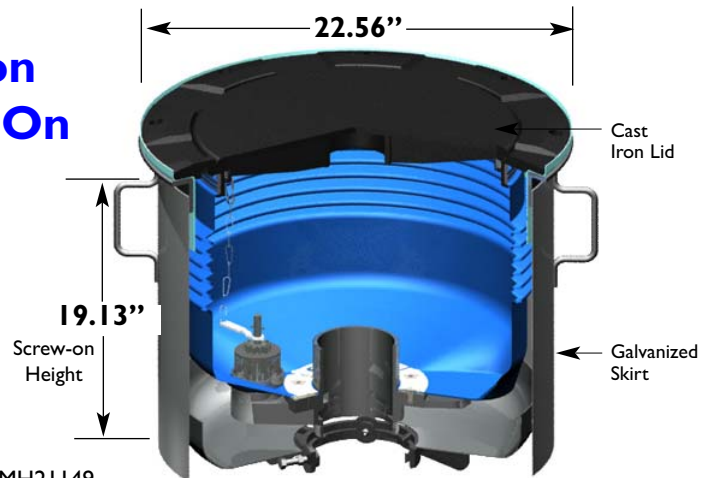
Heavy duty, snow plow resistant ductile iron, powder coated plow rim

Water-resistant lid with built-in handle and exclusive triple wiper seal, meets AASHTO H20 wheel loading

HDPE Liner

4 inch NPT or BSPT thread

15 Gallon Thread-On



■ ULC Listed MH21149
Florida DEP #EQ-695

Phase I EVR Certified
Executive Order VR-105

Model No.	Description	Application	Lid Dia.	Lid Wt.	Total Wt.
A1004-316A	16" center, composite lid, drain, 5 gal	Fill/Vapor	13.2"	6.6 lbs.	59.6 lbs.
A1004-316AX	16" center, composite lid, drain, 5 gal	Fill	13.2"	6.6 lbs.	69.6 lbs.
A1004-317A	16" center, composite lid, no drain, 5 gal	Vapor	13.2"	6.6 lbs.	59.1 lbs.
A1004-317AV	16" center, composite lid, no drain, 5 gal	Vapor	13.2"	6.6 lbs.	69.9 lbs.
A1004-317AX	16" center, composite lid, no drain, 5 gal	Fill	13.2"	6.6 lbs.	69.1 lbs.
A1004EVR-215A	Cast iron lid, drain, 15 gal	Fill/Vapor	17.1"	30.0 lbs.	126.0 lbs.
A1004EVR-216A	Cast iron lid, no drain, 15 gal	Fill/Vapor	17.1"	30.0 lbs.	126.1 lbs.

"V" variants include A0076-124S Vapor Swivel Adapter and A0099-002 Vapor Cap

"X" variants include A0030-124S Fill Swivel Adapter and A0097-005 Fill Cap

Refer to pages 7 & 8 for repair kits and replacement parts.