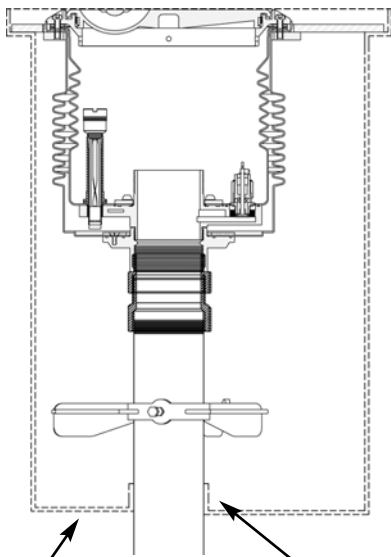
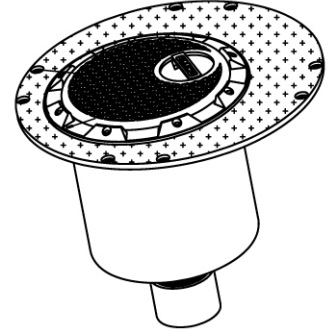


A1004/A1005

Retrofit Double Wall Spill Containment

Repairs OPW 500 and 700 Series Buckets



Original
Fiberglass
Secondary

Eliminates need
for existing
rubber boot

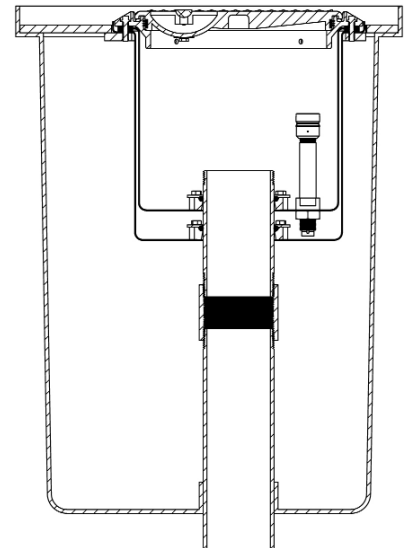
No excavation required - use existing riser pipe

Eliminates all OPW primary and secondary containers

Diamond plate steel lid bolts to existing OPW rim

Spill containment unit includes composite, water-resistant lid with built-in handle and exclusive triple wiper seal; meets H20 load rating

Includes EZ-Gage for instant monitoring of interstitial space



A1004-316R **HDPE Bellows** **Thread-On**

■ Florida DEP #EQ-741

Full Emco Wheaton warranty on complete double wall bucket

A1005-517R **Stainless Steel** **Slip-On**

■ Florida DEP #EQ-764R

	Model No.	Application	Drain Type	Weight	List
HDPE Bellows Thread-On	A1004-316R	Fill/Vapor	Pull/Push	124.0 lbs.	\$1083.27
	A1004-317R	Fill/Vapor	None	123.3 lbs.	\$1083.27
	A1004-316RSX	Fill	Pull/Push	134.0 lbs.	\$1279.20
	A1004-317RSX	Fill	None	133.3 lbs.	\$1279.20
Stainless Steel Slip-On	A1005-517R	Fill/Vapor	None	98.0 lbs.	\$1177.47
	A1005-517RSX	Fill	None	108.0 lbs.	\$1373.40

“X” variants include A0030-124S Fill Swivel Adapter and A0097-005 Fill Cap