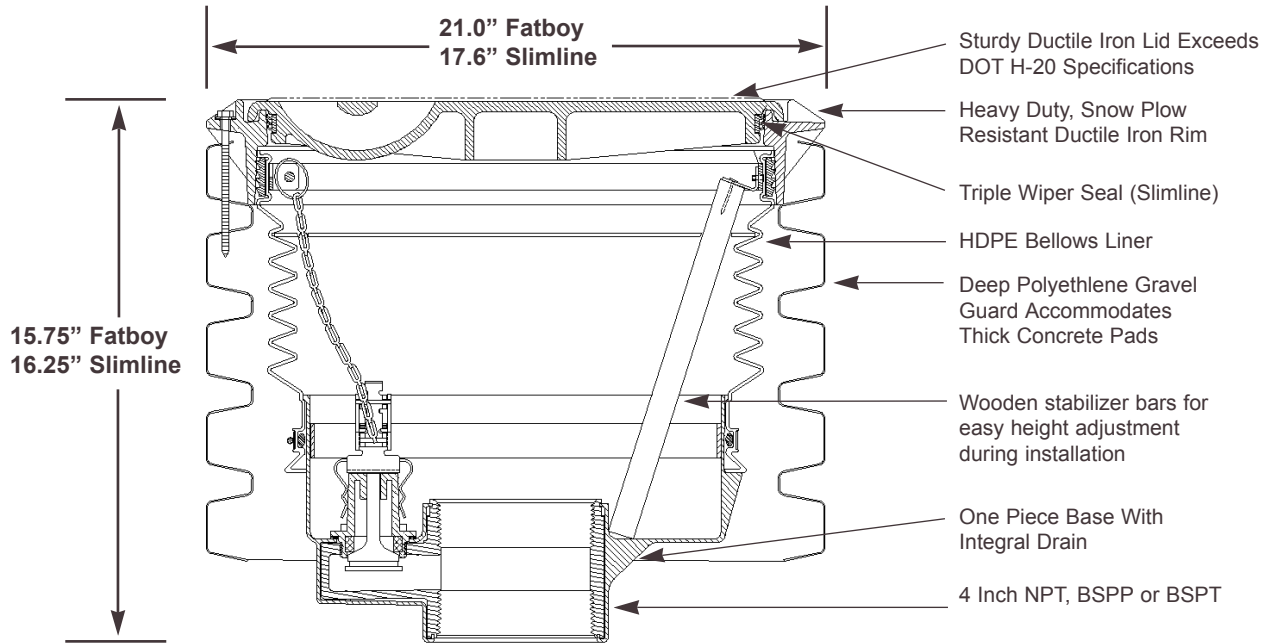


A1004 SPILL CONTAINMENT



CARB certified
ULC listed

Guide Specification: Grade level spill containment manhole with 14 1/4" (slimline) and 14 3/4" (fatboy) diameter opening and nominal capacity of 5 U.S. gallons. Lid and rim constructed of ductile iron capable of withstanding DOT H-20 loading and outfitted with a triple wiper seal. Drain assembly actuates by pulling upward on link chain, forcing the drain poppet downward. Tank testing can be accomplished with drain assembly intact. All components in contact with backfill material or ground water are constructed using non-corroding materials. Gravel guard of non-corroding material for long term protection of moving elements; minimum height of 12 inches. Options for attachment to the tank riser pipe include 4 inch NPT, BSPP, or BSPT female thread.

| <u>Model No.</u> | <u>Description</u> | <u>Rim Diameter</u> | <u>Lid Weight</u> | <u>Total Weight</u> | <u>Drain Type</u> |
|------------------|-----------------------------|---------------------|-------------------|---------------------|-------------------|
| A1004-003 | Fatboy, 4", 5 gallons | 21.0" | 22.0 lbs. | 82.0 lbs. | Pull/Push |
| A1004-004 | Fatboy, 4", 5 gallons | 21.0" | 22.0 lbs. | 82.0 lbs. | None |
| A1004-005 | Fatboy, 4" BSP, 5 gallons | 21.0" | 22.0 lbs. | 82.0 lbs. | Pull/Push |
| A1004-010 | Slimline, 4", 5 gallons | 17.6" | 20.0 lbs. | 56.0 lbs. | Pull/Push |
| A1004-011 | Slimline, 4", 5 gallons | 17.6" | 20.0 lbs. | 56.0 lbs. | None |
| A1004-012 | Slimline, 4" BSP, 5 gallons | 17.6" | 20.0 lbs. | 56.0 lbs. | Pull/Push |
| A1004-013 | Slimline, 4" BSP, 5 gallons | 17.6" | 20.0 lbs. | 56.0 lbs. | None |

Optional Items

| | |
|-----------|---------------------------|
| A0030 | Tight Fill Adapter |
| A0030-124 | Swivel Tight Fill Adapter |
| A0097 | Tight Fill Cap |
| A0333-002 | Hand Pump |

Replacement Parts

| | | | |
|---------|-----------------------------|--------|---------------------|
| 493508K | Pull/Push Drain Assembly | 565271 | Rim Ductile, Fatboy |
| 493806 | Lid & Seal, Slimline | 566332 | Lid, Fatboy |
| 493820 | Drain Wrench | 567166 | Seal 493806 Lid |
| 496841 | Lid, Rim and Seal, Slimline | | |

Emco Wheaton Retail Corporation

2300 Industrial Park Drive • Wilson, North Carolina 27893
252-243-0150 • 252-243-4759 (fax) • www.emcoretail.com

Form O-1003
Date 09/02