

Single Wall Stainless Steel

Never Break Concrete - Easily repair or replace primary unit from grade without breaking concrete

Installs on 16" centers

Heavy duty, snow plow resistant ductile iron, powder coated plow rim

Water-resistant lid with built-in handle and exclusive triple wiper seal, meets AASHTO H20 wheel loading; available in cast iron and composite

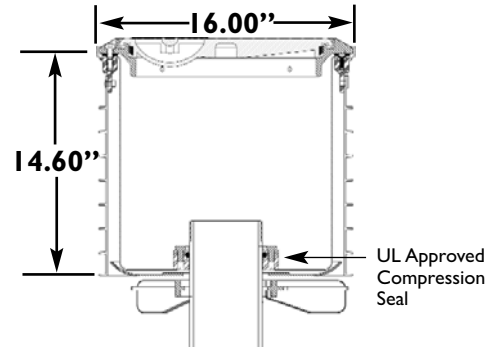
16 gauge stainless steel liner

HDPE skirt



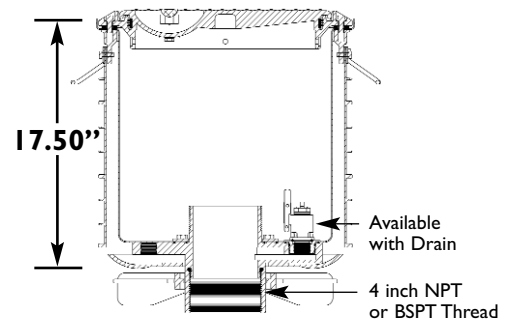
5 Gallon Slip-on

■ Florida DEP #EQ-753



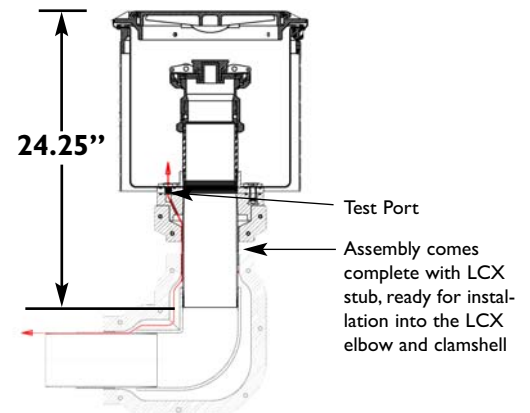
5 Gallon Thread-on

■ Florida DEP #EQ-753



5 Gallon Glass-On Remote Fill

■ Florida DEP #EQ-753



Repair Parts

Part No.	Description
494845	Flange Seal, A1005-517
569820	Primary Rim
569989	Rim Gasket

Model No.	Description	Application	Lid Dia.	Lid Wt.	Total Wt.
Slip-on					
A1005-517A	16" center, composite lid, no drain	Fill/Vapor	13.2"	6.6 lbs.	67.7 lbs.
Thread-on					
A1005-518A	16" center, composite lid, no drain	Fill/Vapor	13.2"	6.6 lbs.	
A1005-518ABG	16" center, below grade, composite lid, no drain	Fill/Vapor	13.2"	6.6 lbs.	
A1005-518ADR	16" center, composite lid, drain	Fill/Vapor	13.2"	6.6 lbs.	
A1005-518AV	16" center, composite lid, no drain	Vapor	13.2"	6.6 lbs.	
Glass-on					
A1005-517AF	16" center, composite lid, no drain	Remote Fill	13.2"	6.6 lbs.	69.0 lbs.

"V" variants include A0076-124S Vapor Swivel Adapter and A0099-002 Vapor Cap