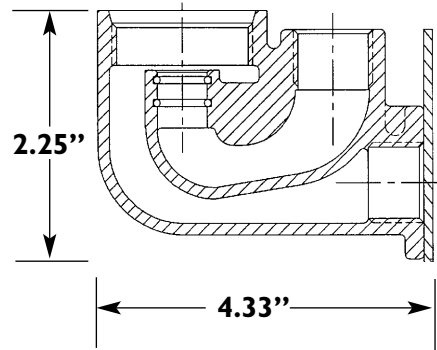
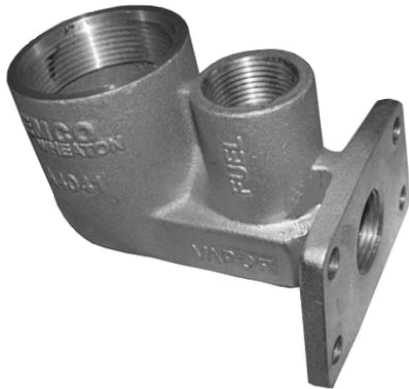


A4041 Splitter



Port Sizes

Fuel Inlet	3/4"
Vapor Outlet	3/4"
Coaxial	1 7/8"

- CARB E.O. G-70-52-AL
- UL Listed MH10206
- ULC Listed MH27243

The Emco Wheaton A4041 Splitter is designed for converting a side mount dispenser which is not vapor ready into a coaxial vapor recovery system. For vertical island plumbing of the vapor line, order the A4041-001. For plumbing the vapor line through the dispenser wall, order the A4041-002.

Model	Application	Material	Weight
A4041-001	Island Mount	Aluminum	12 oz.
A4041-002	Dispenser Mount	Aluminum	12 oz.