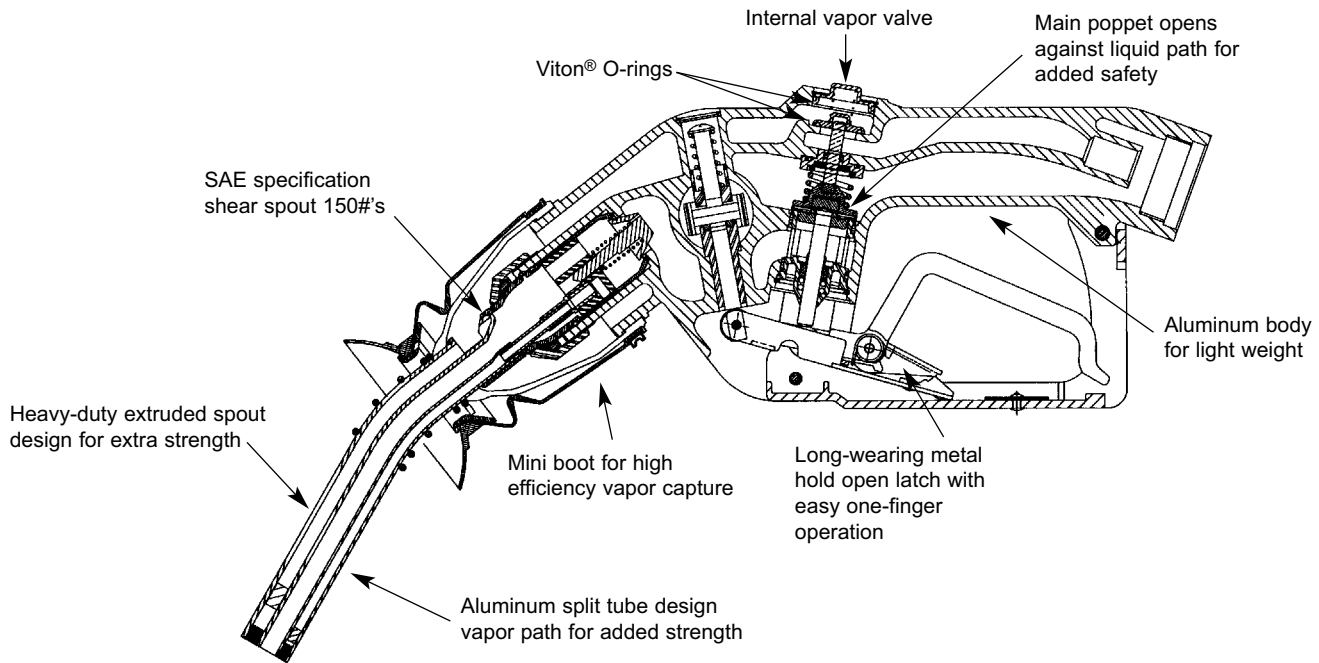


A4505 VAPOR ASSIST NOZZLE



Guide Specification: Vacuum assist vapor recovery nozzle constructed with cast aluminum body, extruded aluminum spout, single finger hold open device and viton® O-rings on main seals. Main poppet opens against liquid flow. Satisfies SAE specification of 150 lb. spout shear. Weighs 3.1 lbs.

Viton® is a registered trademark of DuPont Dow Elastomers.

***One nozzle fits all three major vacuum assist systems:
Gilbarco, Dresser Wayne, and Tokheim***

<u>Model No.</u>	<u>Scuff Guard</u>
A4505-052	Black
A4505-058	Blue Chevron
A4505-059	White
A4505-060	Red Chevron Shell
A4505-061	Blue Mobil
A4505-062	Green BP Mobil
A4505-064	Yellow Shell
A4505-067	Blue Amoco

CARB Executive Orders

Gilbarco	G-70-150-AE
Dresser Wayne	G-70-153-AB
Tokheim	G-70-154-AA

UL Listed

MH1460 VOL. 10 SEC. 1

A4505 Replacement Kits

493748	Spout Kit UL
493810	Spout & Vapor Seal Kit UL
493828	A over L Test Kit Adapter
493917	Vapor Seal Kit
494009	Mini-boot Subassembly
494051	Spout Kit - Stainless Steel Severe Applications, UL
566292	Spout Spring

Materials

Body & Spout:	Aluminum
Lever & Guard:	Thermoplastic
Seals:	Nitrile & Viton®
Scuff Guard:	Vinyl

Emco Wheaton Retail Corporation

2300 Industrial Park Drive • Wilson, North Carolina 27893

Phone: 252-243-0150 • Fax: 252-243-4603

www.emcoretail.com

Form N-1000

Date 08/07